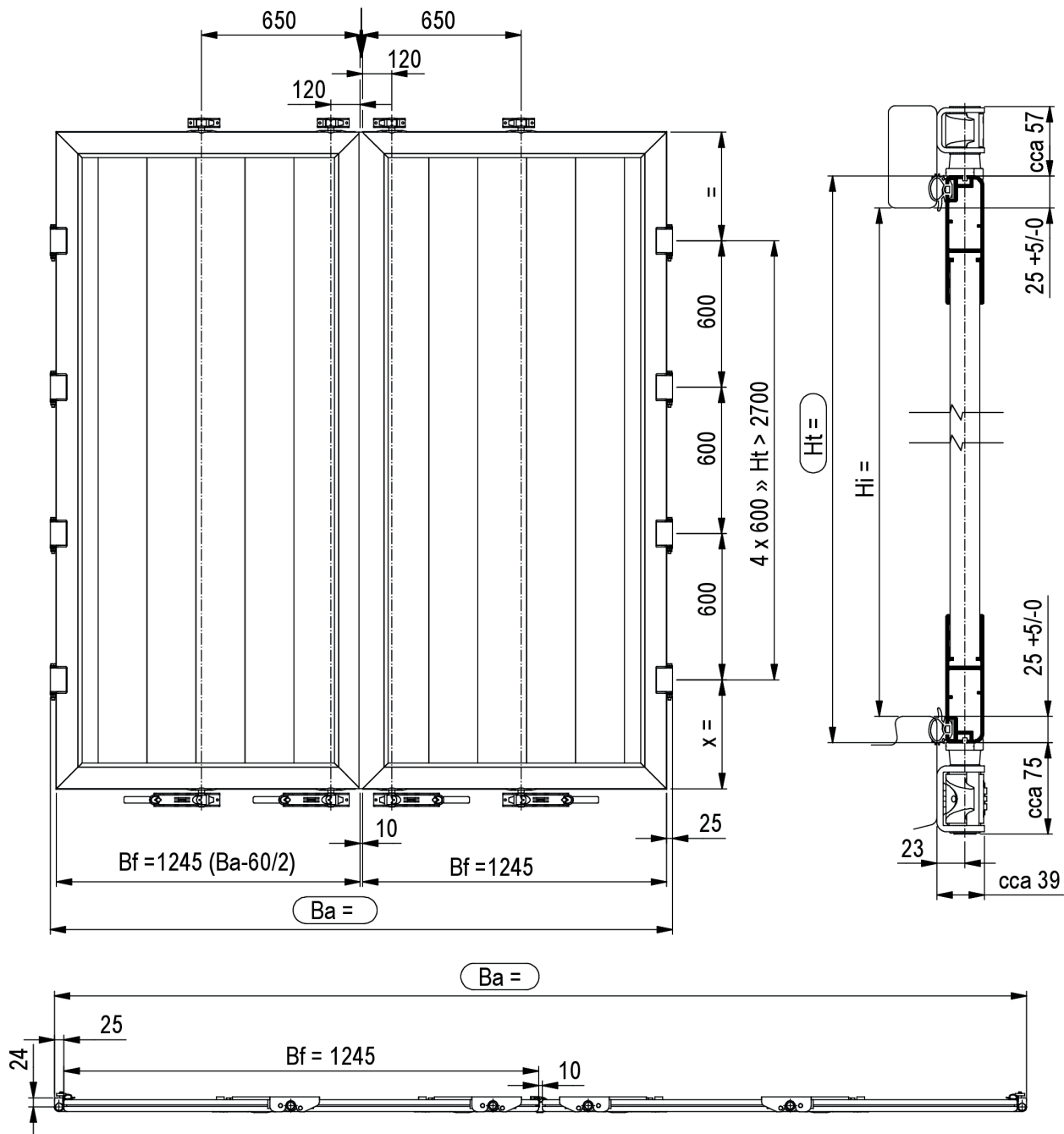




## **05** Rear Doors, Tarpaulin Construction



# DOUBLE-LEAF REAR DOOR



The double-leaf rear doors can be double-latched and four-latched. The latches are located at the bottom of the door. The surface of the door is natural, anodized or painted. The rear door is made of Al profiles, sealed around the perimeter and through the centre with a rubber seal. The filling can be made of Al. sideboard profiles mounted vertically or XPS panel (RAL 9010). The filling is edged with a profile. The hitch hinges are screw-in, welded or Al. riveted as standard. The door profiles (for the frame) and the filling (sideboard profiles) are welded at the corners on both sides in the natural version. In the anodized version, the corners are welded on the inside. High strength and rigidity are therefore guaranteed, ensuring a long service life of the door. The width of the door can be made according to requirements.

For a door height of less than 2700 mm there are 4 hinges  
 For a door height greater than 2700 mm there are 5 hinges

Please enter dimensions when ordering:  $Ba \times Ht$  (or  $H i$ ) [mm] see enquiry or order form

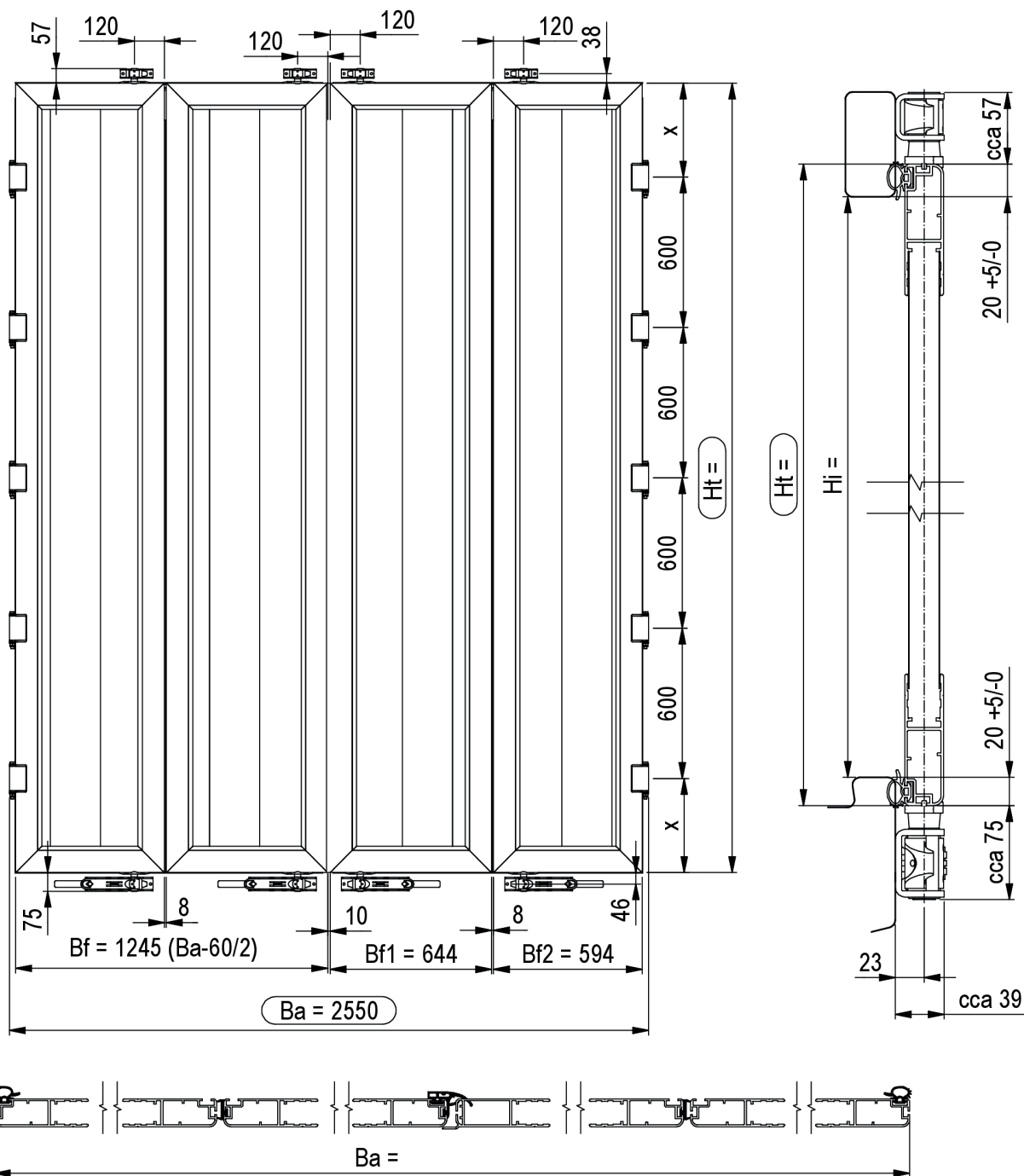
$Ba$  = outer width of the vehicle (mm) (standard 2550 mm)

$Ht$  = door height (mm)

$Hi$  = frame clearance (mm)

For more detailed instructions and further information, please refer to the door brochure.

# FOUR-LEAF REAR DOOR



The four-leaf rear door can have a natural, anodized or painted finish. The dimensions of the doors are given as standard in the drawing. The rear door is made of Al. profiles, sealed around the perimeter and through the centre with a rubber seal. The filling is made of Al. sideboard profiles mounted vertically. The hitch hinges are screw-in, welded or AL riveted as standard. The door profiles (for the frame) and the filling (sideboard profiles) are welded at the corners on both sides in the natural version. In the anodized version, the corners are welded on the inside. High strength and rigidity are therefore guaranteed, ensuring a long service life of the door.

Please enter dimensions when ordering:  $Ba \times Ht$  (or  $Hi$ ) [mm] see enquiry or order form

$Ba$  = outer width of the vehicle (mm) 2550 mm as standard

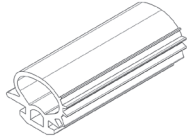
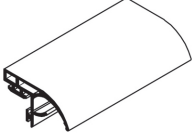
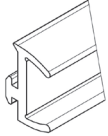
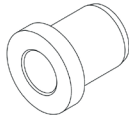

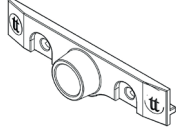
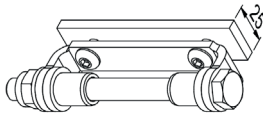
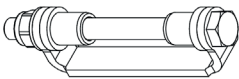
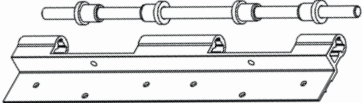
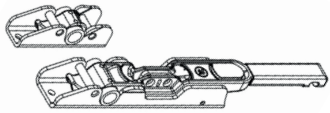
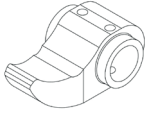

$Ht$  = door height (mm)

$Hi$  = frame clearance (mm)

For more detailed instructions and further information, please refer to the door brochure.






# REAR DOOR - SPARE PARTS

TT-number	Name	Drawing
0512026.000	Perimeter seals	
0512027.000	2K centre seal	
0512028.000	4K centre seal	
0512030.000	2K hitch housing	
0512032.000	Imprinter	
0512034.000	Guide	
0512050.000	Screw-in door hitch	
0512053.000	Welded door hitch	
0512019.XXX 0512020.XXX	Riveted door hitch Al natural Al anodized	
0512035.000	Door latch 18 mm complete	
0512035.210	Thumb top latch	
0984032.205	Clamping set for door bracing belt width 25 mm	

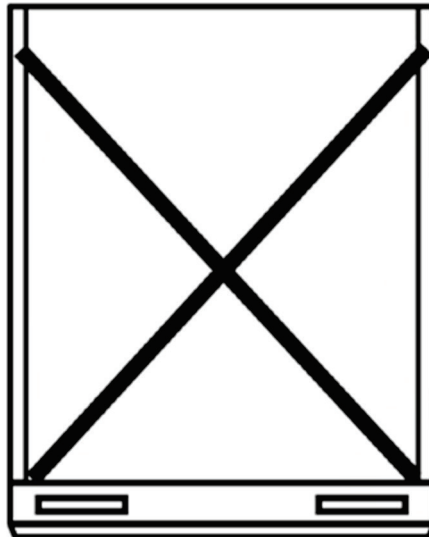


## REAR DOOR - SPARE PARTS

TT-number	Name	Drawing
0911001.100	Anchor eye with shackle 750 kg, galvanized	
2111464.165	Rivet 6.4 x 16 S = 5.5 - 8.5 mm Used at the top of the pillar	
2111464.181	Rivet 6.4 x 18 S = 9 - 12 mm Used at the bottom of the pillar in the chamber with reinforcement	

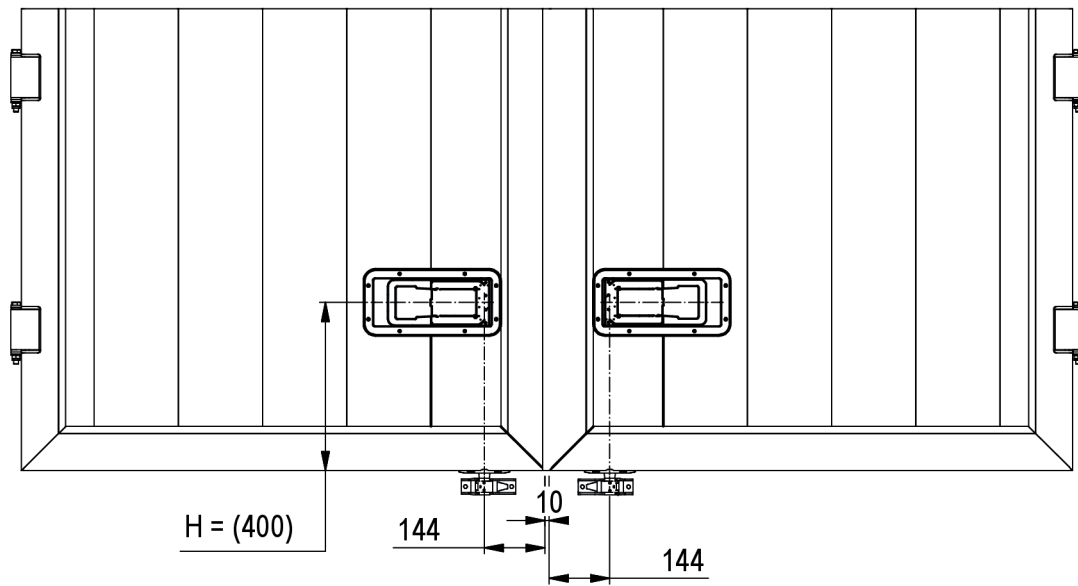
The door must be labelled with information about the need for bracing

## THE DOOR MUST BE BRACED



## REAR DOOR WITH RECESSED LATCH

The door can be manufactured with a recessed latch upon request. The filling is only made of Al natural or anodized profiles. The position of the latch is given in the picture. The door can only be fitted with one latch per door leaf.





The TT Gatte rear door is a new design and is available in double-leaf and four-leaf versions and double-locking and four-locking versions. The door is made up of aluminium alloy profiles that snap into each other using a lock similar to the sideboard folding system. This achieves high strength and integrity of the door.

The door is frameless and the profiles are connected to the bottom and top edges by screwed joints. They are not welded.

During the tests, the door was put under stress according to EN 12 642 XL to a maximum payload of 29 tonnes.

The system, types and design of hinges are the same as in the current TT doors.

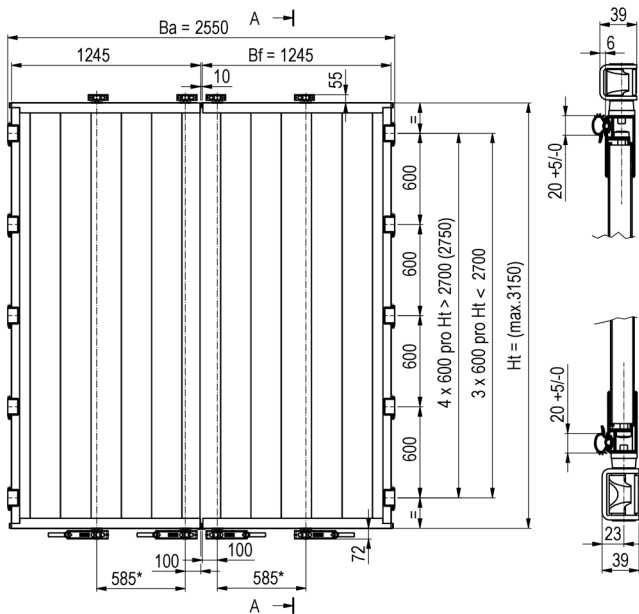
The location of the internal latches (at the centre of the door) cannot be changed.

Supplied in external body width  $Ba = 2550$  mm.

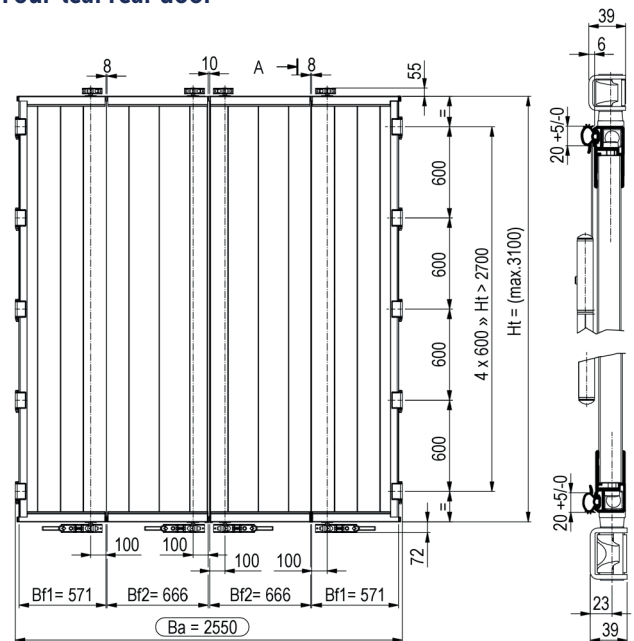
For four-leaf doors, the width of each door leaf is fixed, including the position of the latches.

Specifying the door height.  $Ht =$  door height. (When ordering it is sufficient to specify the height and the type of hitch hinge).

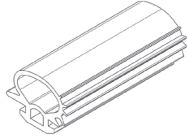
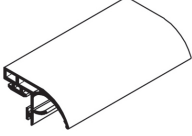
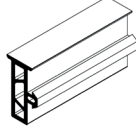
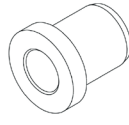
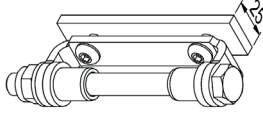
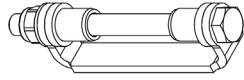
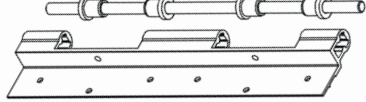
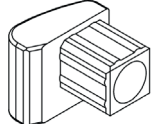
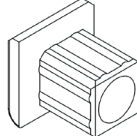
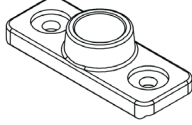
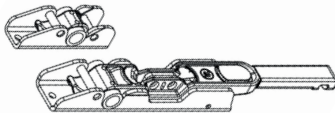
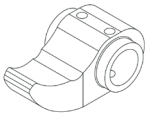
**Rear doors with two leaves and two or four locks**






**Four-leaf rear door**





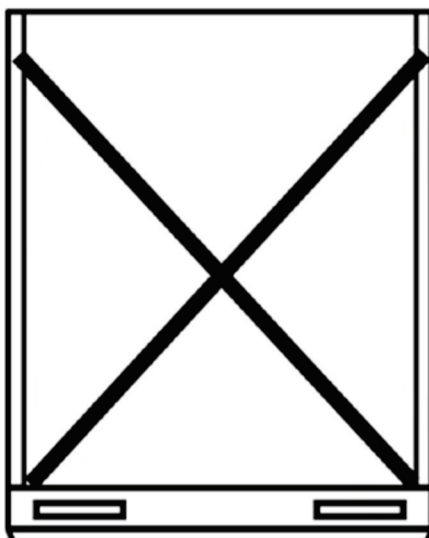
TT-number	Name	Drawing
0512026.000	Perimeter seals	
0512027.000	2K centre seal	
0512328.000	4K centre seal	
0512030.000	2K hitch housing	
0512050.000	Screw-in door hitch	
0512053.000	Welded door hitch	
0512019.XXX 0512020.XXX	Riveted door hitch Al natural Al anodized	
0512332.100 0512332.200	Blanking plug - LD imprinter Blanking plug - PD imprinter	LD 
0512333.100 0512333.200	LD edging profile blanking plug PD edging profile blanking plug	PD 
0512334.000	Latch rod conduit 18 galvanized	
0512335.000	Door latch diameter 18, plastic handle - COMPLETE	
0512335.210	Thumb top latch	

# GATTE® REAR DOOR - SPARE PARTS

TT-number	Name	Drawing
0911001.100	Anchor eye with shackle 750 kg, galvanized	
2111464.165	Rivet 6.4 x 16 S = 5.5 - 8.5 mm Used at the top of the pillar	
2111464.181	Rivet 6.4 x 18 S = 9 - 12 mm Used at the bottom of the pillar in the chamber with reinforcement	

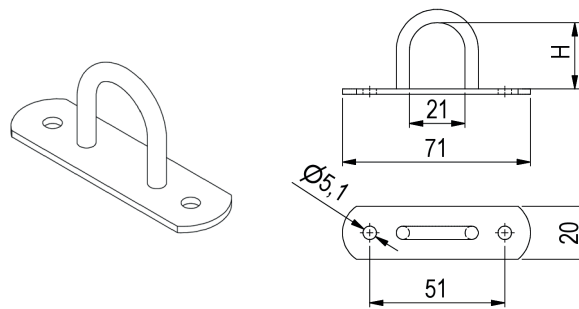
The door must be labelled with information about the need for bracing

## THE DOOR MUST BE BRACED



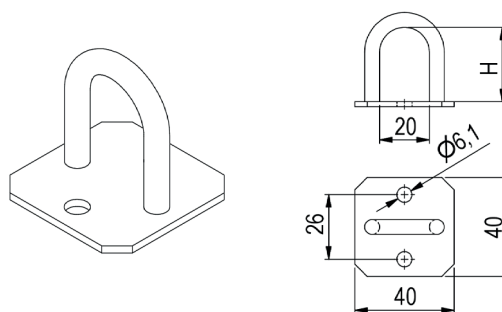
Fixed shackle for 36/40 and 42/22 meshes

TT-number	H mm	Material	Weight kg / 100 pieces
0521010.021	21	galvanized steel	3.5
0521010.025	25		3.7
0521010.030	30		3.9
0521010.038	38		4.4
0521010.045	45		4.8
0521010.055	55		5.2



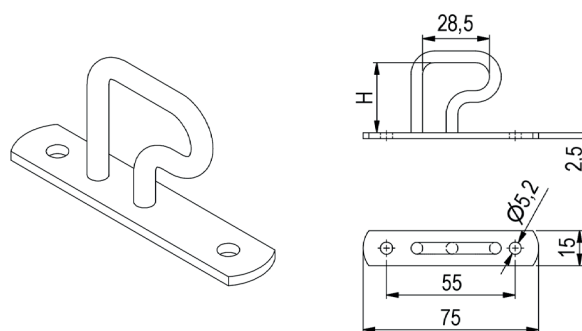
Fixed tarpaulin shackle

TT-number	H mm	Material	Weight kg / 100 pieces
0521011.030	30	galvanized steel	4.0



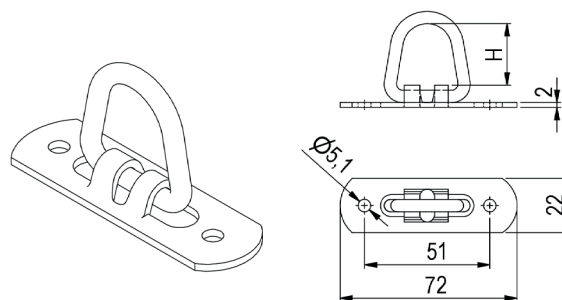
Fixed tarpaulin shackle 55x30

TT-number	H mm	Material	Weight kg / 100 pieces
0521012.030	30	galvanized steel	4.0



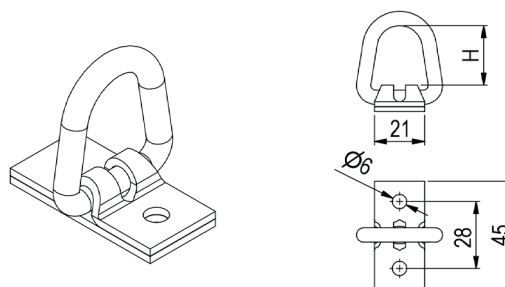
Hinged shackle for 36/40 and 42/22 meshes, according to customs regulation

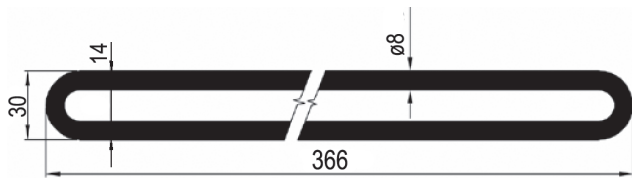
TT-number	H mm	Material	Weight kg / 100 pieces
0521020.025	25	galvanized steel	4.3
0521020.037	37		4.9
0521020.045	45		5.2
0521020.055	55		5.7



Folding tarpaulin shackle

TT-number	H mm	Material	Weight kg / 100 pieces
0521021.025	25	galvanized steel	5.0
0521021.045	45		
0521021.055	55		

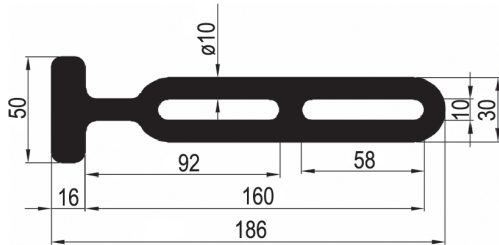




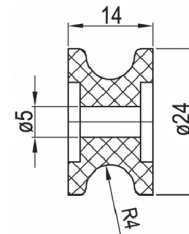
0521101.000



0521102.000



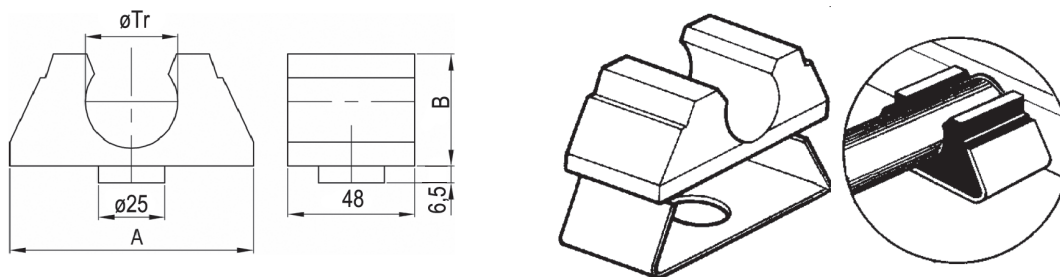
0521103.000



0521105.000

TT-number	Name	Material	Weight kg/pc
0521101.000	Rubber tension ring 360/30	rubber	0.06
0521102.000	Rubber tension ladder 270/25	rubber	0.06
0521103.000	Tensioning rubber T 190/30 R	rubber	0.05
0521105.000	Button for tensioning rubber	plastic	0.01





TT-number	Name	Ø Tr mm	A mm	B mm	Material	Weight kg/m
0521301.000	Pipeholder 35 mm, steel	35	92	40	steel	0.19
0521302.000	Pipeholder 35 mm, rubber				rubber	0.12
0521311.000	Pipeholder 50 mm, steel	50	119	52.5	steel	0.23
0521312.000	Pipeholder 50 mm, rubber				rubber	0.18

TT-number	Tube - dimensions outer diameter x thickness wall - length mm	Material	Weight kg/m
0521304.730	35 x 2 - 7300	galvanized steel	1.65
0521305.000	35 x 2.5 -length a srequired	ENAW 6060 T66	0.69
0521306.000	Pipe blanking plug diameter 35	plastic	0.01
0521307.000	Tr. 35 x 2 -length a srequired	ENAW 6060 T66	0.56
0521308.000	Tr. 25 x 2.5 -length a srequired	ENAW 6060 T66	0.48

TT-number	Tube - dimensions outer diameter x thickness wall - length mm	Material	Weight kg/m
0521314.730	50 x 1.5 - 7300	galvanized steel	1.71
0521324.730	60 x 1.2 - 7300	galvanized steel	1.85
0521315.000	Pipe blanking plug diameter 50	plastic	0.01
0521325.000	Pipe blanking plug diameter 60	plastic	0.01



# TUBULAR CONSTRUCTION - ACCESSORIES

**0521317.100** Short end cap for pipe Ø 50 x 1.5 mm

**0521317.200** Long end cap for pipe Ø 50 x 1.5 mm

**0521327.100** Short end cap for pipe Ø 60 x 1.2 mm

**0521327.200** Long end cap for pipe Ø 60 x 1.2 mm

Material: light plastic

Weight:

**0521317.100** – 0.09 kg/pc

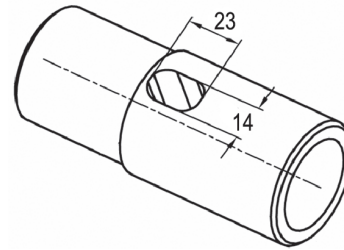
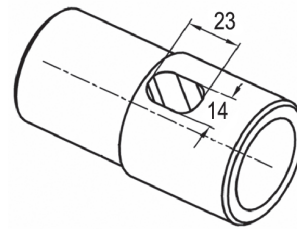
**0521317.200** – 0.07 kg/pc

**0521327.100** – 0.08 kg/pc

**0521327.200** – 0.13 kg/pc

Fitting length for short end cap - 45 mm

Fitting length for long end cap - 72 mm



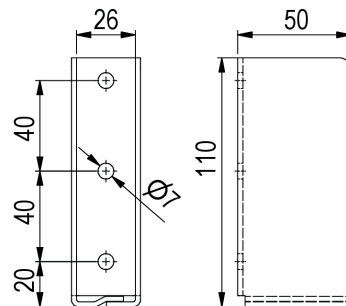
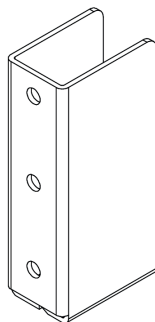
# POCKET FOR TARPAULIN PROFILES

## 0521372.010

### Pocket for tarpaulin construction 25 mm, 50 x 110 x 26 mm, 3 x $\varnothing 7$ mm

Material: galvanized steel

Weight: 0.24 kg/pc



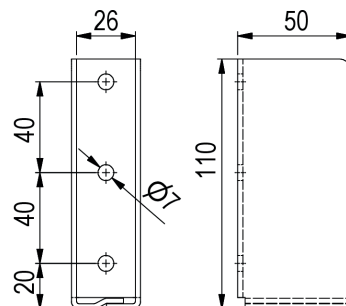
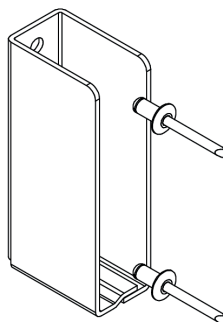
## 0521372.025

### Pocket for 25 mm tarpaulin construction, riveting, 50 x 110 mm

Material: galvanized steel

Weight: 0.41 kg/pc

Set including 2 pcs of 6.4 x 12 mm rivets



## 0521372.125

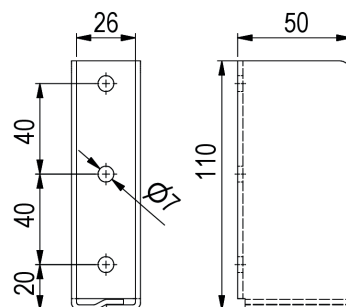
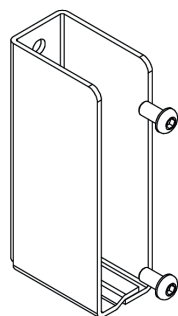
### Pocket for 25 mm tarpaulin structure, screw-in kit,

Material: galvanized steel

Weight: 0.11 kg/pc

Set including fastening materials

- 2 pcs - screw M6x12 - hemispherical head
- 2 pcs - cage nuts M6



## 0521373.125

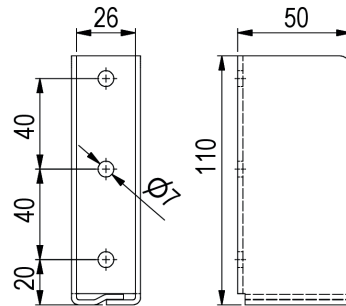
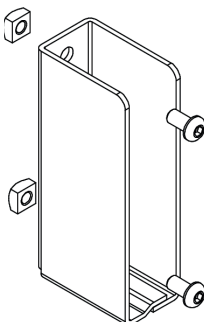
### Pocket for tarpaulin construction 25 mm, screw-in set

Material: galvanized steel

Weight: 0.11 kg/pc

Set including fastening materials

- 2 pcs - screw M6x12 - hemispherical head
- 2 pcs - 4HR nuts M6

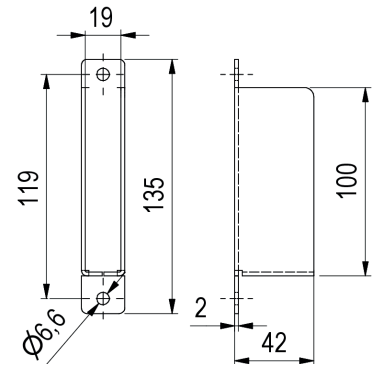
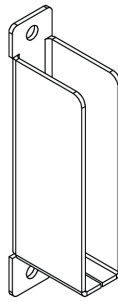


# POCKET FOR TARPAULIN PROFILES

## 0521378.001

### Pocket for tarpaulin construction 18 mm, 40 x 100 mm

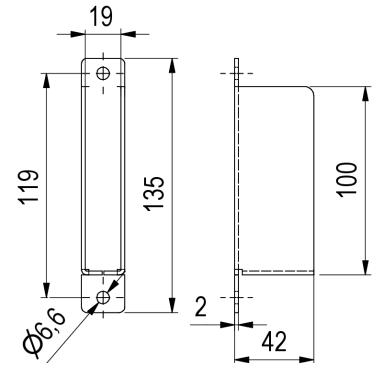
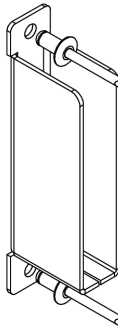
Material: galvanized steel  
Weight: 0.11 kg/pc



## 0521378.025

### Pocket for tarpaulin construction 18 mm, 40 x 100 mm, riveted

Material: galvanized steel  
Weight: 0.11 kg/pc



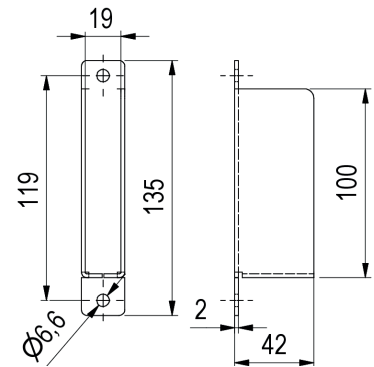
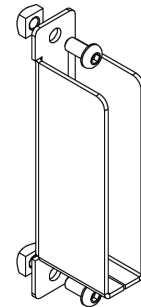
## 0521378.025

### Pocket for tarpaulin construction 18 mm, 40 x 100 mm, screw-in

Material: galvanized steel  
Weight: 0.11 kg/pc

#### Set including fastening materials

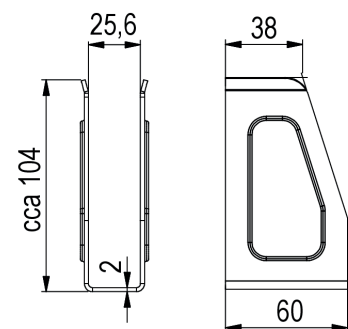
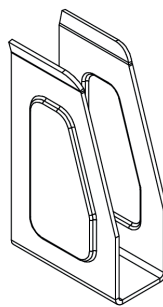
- 2 pcs - screw M6x12 - hemispherical head
- 2 pcs - 4HR nuts M6



## 0521370.025

### Pocket for 25 mm tarpaulin construction

Material: natural steel  
Weight: 0.11 kg/pc



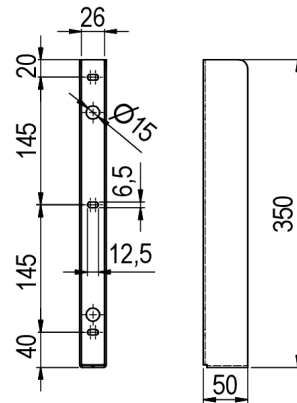


# POCKET FOR TARPAULIN PROFILES

**0521376.001**

**Pocket for the pyramid profile pillar**

Material: galvanized steel



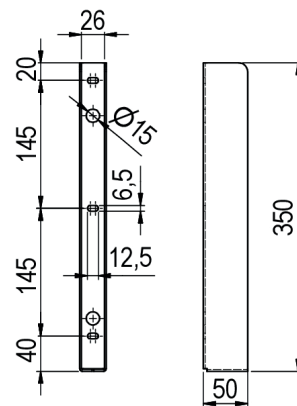
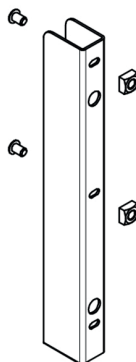
**0521376.125**

**Pocket for pyramid profile 25 mm, screw-in**

Material: galvanized steel

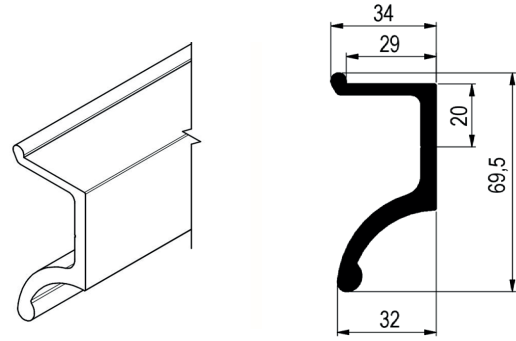
**Set including fastening materials**

- 2 pcs - screw M6x12 - hemispherical head
- 2 pcs - 4HR nuts M6
- 2 pcs - cage nuts M6

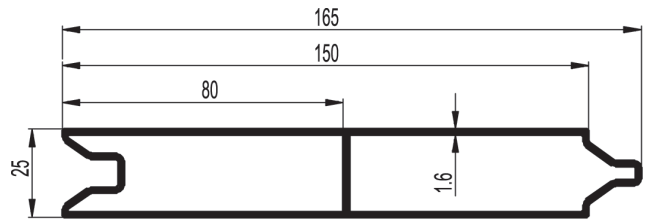


# GUIDE PROFILE FOR CS

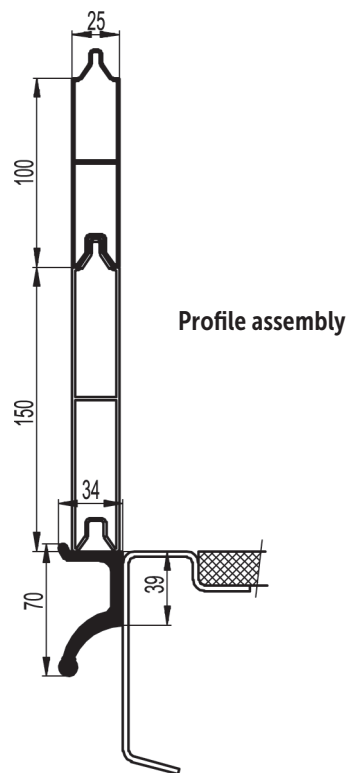
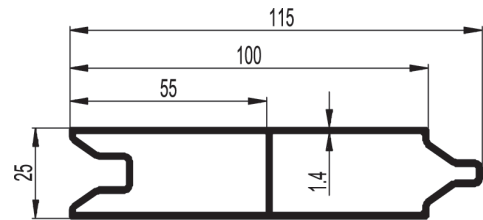
CS - Support and anchoring profile			
TT-number	Surface	Material	Weight
0521405.000	natural	Al	1.1 kg/m



Profile 150 mm			
TT-number	Surface	Material	Weight
0411091.000	natural	AlMgSi0,5	1.7 kg/m
0412091.000	anodized		



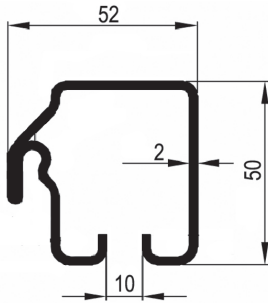
Profile 100 mm			
TT-number	Surface	Material	Weight
0411092.000	natural	AlMgSi0,5	1.1 kg/m



# STEEL GUIDE PROFILES FOR CS

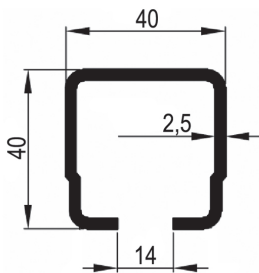
## 0522005.000

CS - Steel guide profile, 52 x 50 - 7800 mm, for seals 0521201.000  
 Material: galvanized steel  
 Seals: 0521201.000  
 0521202.000  
 Weight: 3.0 kg/m



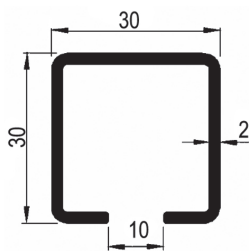
## 0522010.000

CS - Steel guide profile, 40 x 40 - 6000 mm,  
 Material: galvanized steel  
 Weight: 2.5 kg/m



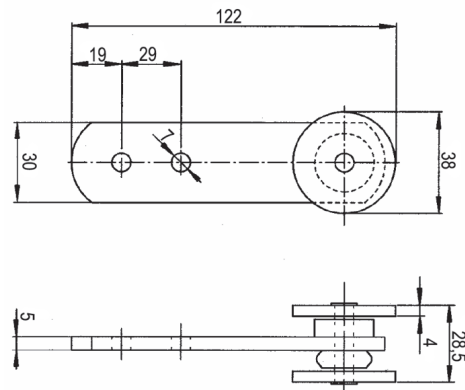
## 0522020.000

CS - Steel guide profile, 30 x 30 - 6000 mm,  
 Material: galvanized steel  
 Weight: 1.5 kg/m



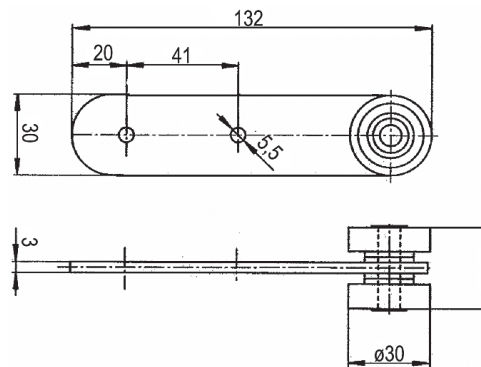
## 0522006.000

CS - Roller 28 x 38 x 122/15°  
 Material: galvanized steel  
 Weight: 0.2 kg/pc  
 Designed for profiles 0522005.000



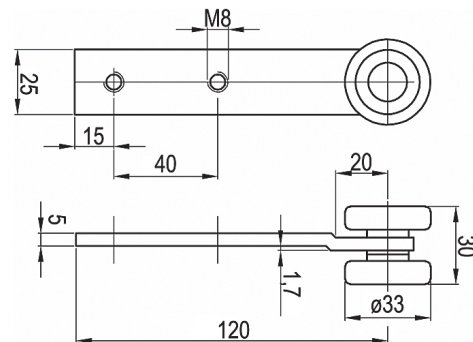
## 0522011.000

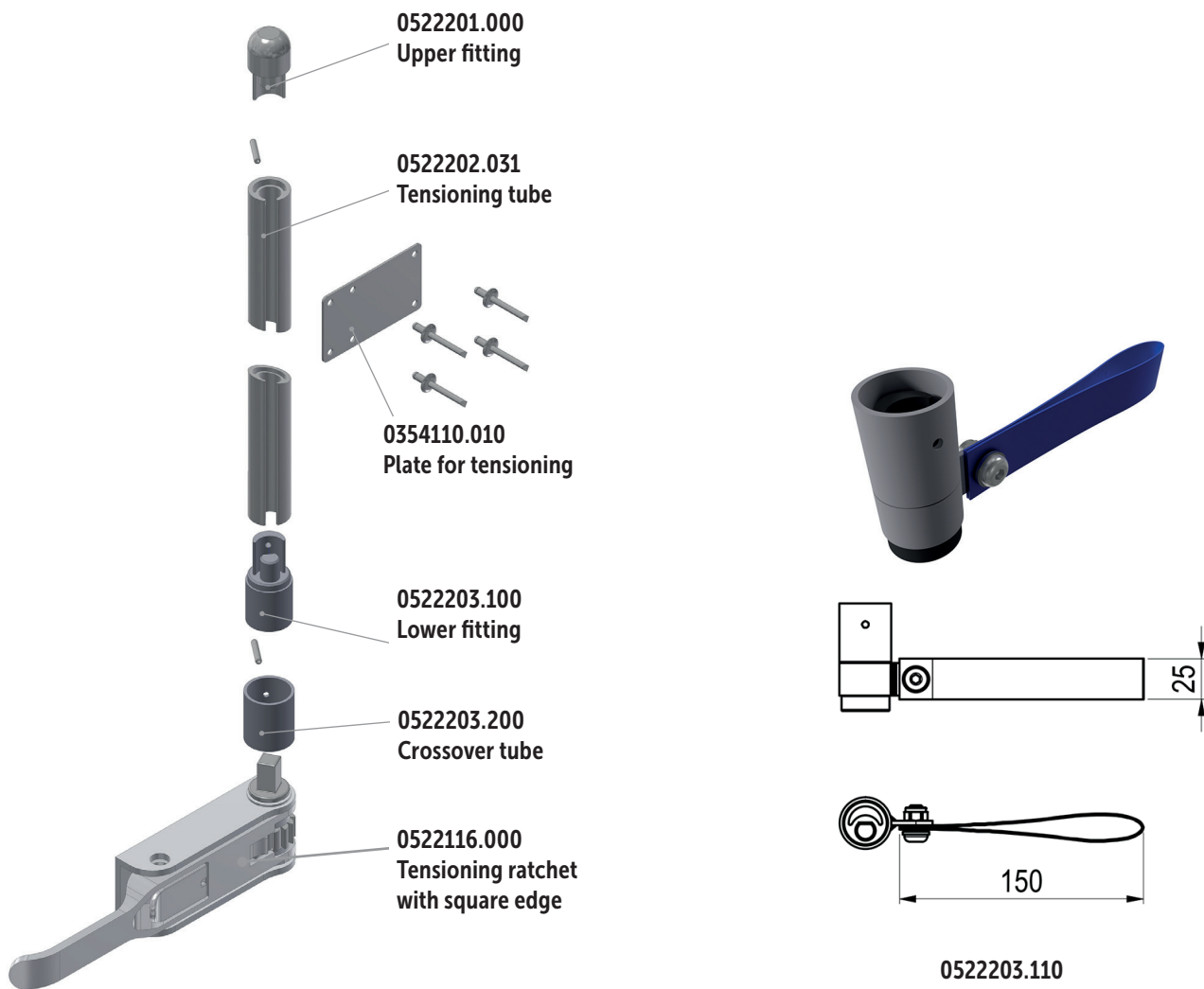
CS - Roller 30 x 30 - 132  
 Material: galvanized steel  
 Weight: 0.12 kg/pc



## 0522021.000

CS - Roller 23 x 24 x 120  
 Material: galvanized steel / bearing - natural  
 Weight: 0.18 kg/pc  
 Designed for profiles 0522020.000, 0532001.000





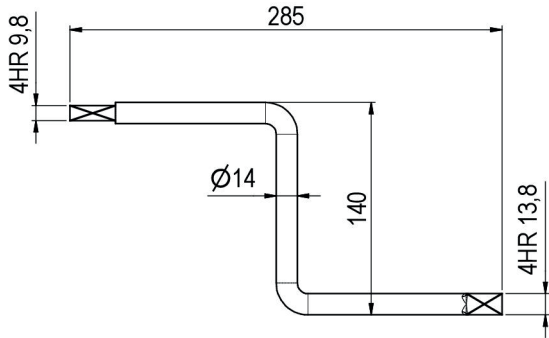
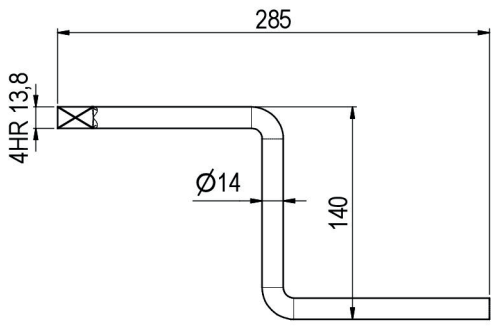
TT-number	Tensioning tube size	Name	Material	Weight
0522201.000	27	CS -Upper fitting 27	stainless steel	0.10 kg/pc
0522202.031		CS - Tensioning tube 27 mm, L = 3100 mm	Al natural	0.70 kg/m
0522203.000		CS - Lower fitting 27	brass	0.10 kg/pc
0522203.100		CS - Lower fitting 27 + pin	stainless steel	0.14 kg/pc
0522203.110		Lower fitting with strap	steel	0.27 kg/pc
0522203.200		Pipe cover for lower fitting	galvanized steel	0.10 kg/pc

# TARPAULIN TENSIONING - BILL OF MATERIALS

TT-number	Name	Drawing
0522109.100 0522109.200	Tarpaulin tensioning gearbox LEFT, 4HR Tarpaulin tensioning gearbox RIGHT, 4HR	<p><b>DESIGN 0522109.100</b></p>
0522110.100 0522110.200	Tarpaulin tensioning gearbox LEFT, with groove Tarpaulin tensioning gearbox RIGHT, with groove	<p><b>DESIGN 0522110.100</b></p>
0522112.000	Tensioning gearbox MINI 63 x 20 x 30 mm	
0522115.000 0522116.000	Tensioning ratchet with square edges 12 mm, front left / rear right Tensioning ratchet with square edges 12 mm, front right / rear left	<p><b>DESIGN 0522115.000</b></p>
0522117.000 0522118.000	Tensioning ratchet type CS with groove - front left / rear right Tensioning ratchet type CS with groove - front right / rear left	<p><b>DESIGN 0522117.000</b></p>



# TARPAULIN TENSIONING - BILL OF MATERIALS

TT-number	Name	Drawing
0522105.000	Gearbox handle / for gearbox 0522109.xxx and 0522110.xxx /	
0522111.000	Gearbox handle / for gearbox 0522112.xxx/	



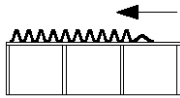
# TARPAULIN FOLDING CONSTRUCTION - VERSUS OMEGA

## Description of construction

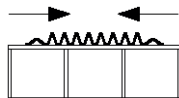
Versus Omega's folding tarpaulin structure allows for easy and quick vehicle de-rigging. The folding superstructure usually comes in the side-folding design with a folding roof or a fixed non-folding roof.

Theroof structure is available in the following versions:

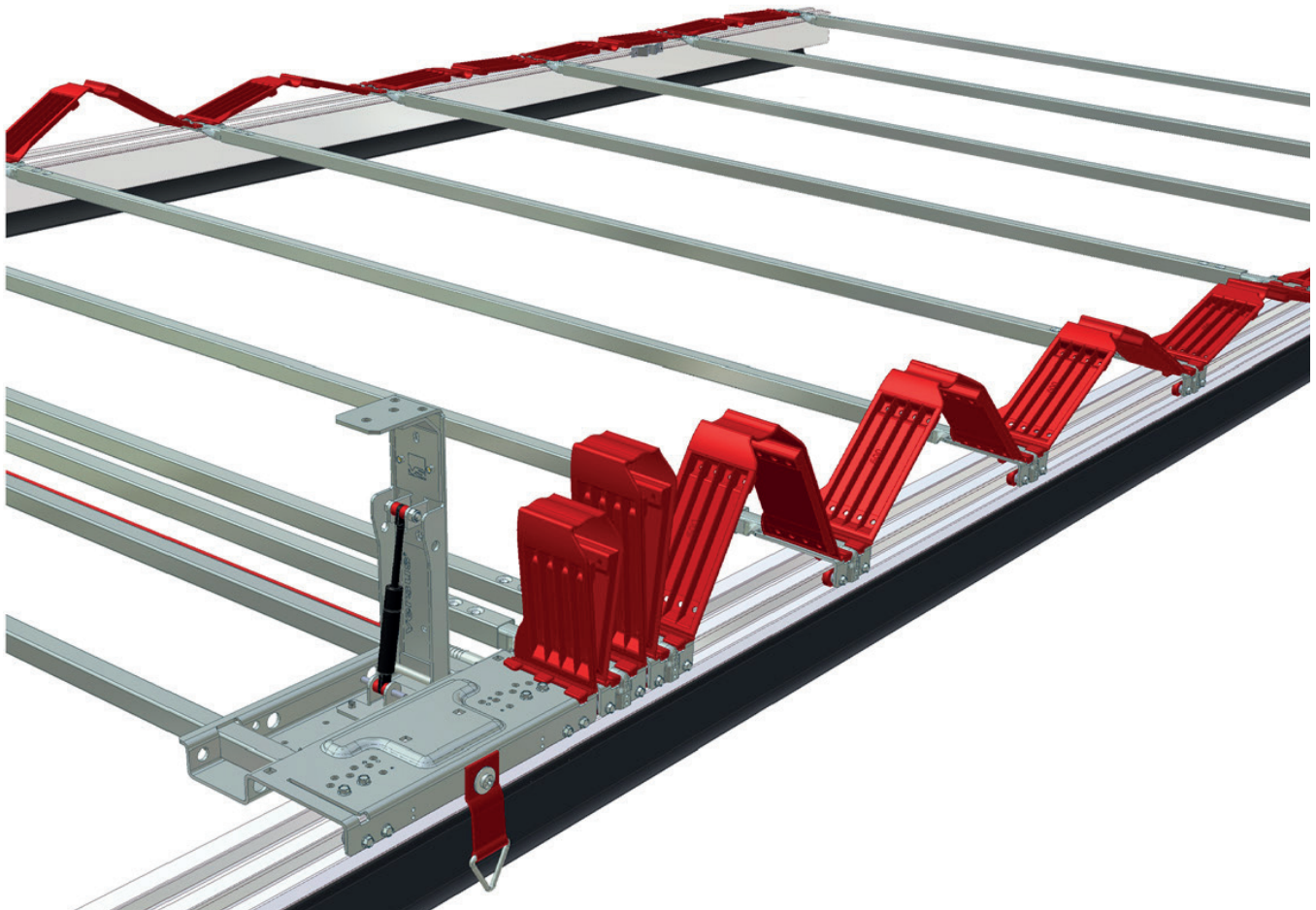
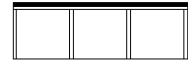
Folding from behind




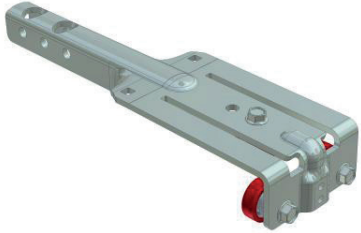
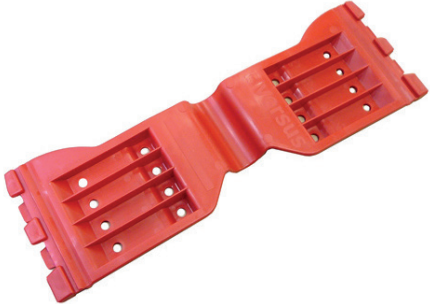
Folding both sides



Fixed roof



# TARPAULIN FOLDING CONSTRUCTION - VERSUS OMEGA - SPARE PARTS

TT-number	Name	Drawing
0538020.255	Crosspiece complete universal - ND L = 2550 mm	
0522021.901 0538020.911	Crosspiece slider Crosspiece bearing	
0538311.400 0538311.500 0538311.600 0538311.650 0538311.700	Slat VERSUS OMEGA 400 Slat VERSUS OMEGA 500 Slat VERSUS OMEGA 600 Slat VERSUS OMEGA 650 Slat VERSUS OMEGA 700	



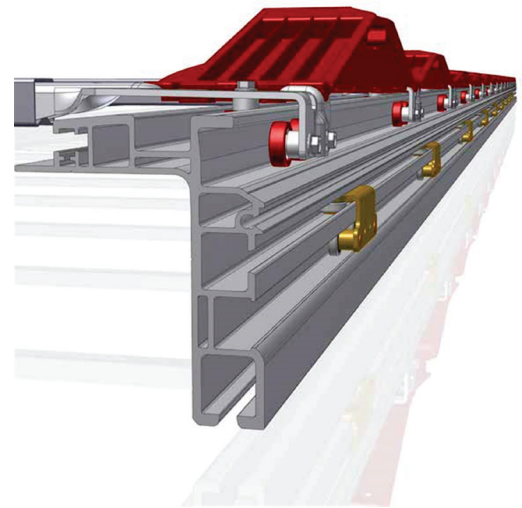
For assembly instructions please contact our sales department, where you will find wiring instructions and a complete parts list.



# FOLDING TARPULIN CONSTRUCTION - ALTO 150 VS2 GUIDE PROFILE

## Product description

- Flatbed superstructure with roof stacking and side stacking
- Recommended dimensions, length max. 10200 mm, width 2550 mm, height 3000 mm
- Steel frame
- Suitable for high-capacity superstructures with a through trailer
- Variants of foldable, fixed roof, sliding roof and all-folding (all at once)
- Roof structure can be lifted to maximise load height
- Can be used with AL rear face, AL door, through bridge and departure flap for hydraulic face
- Combination of left and right folding side is possible
- Different variants of aluminium pillars
- Can be supplied with CODE XL 12642 certification
- Second driving position



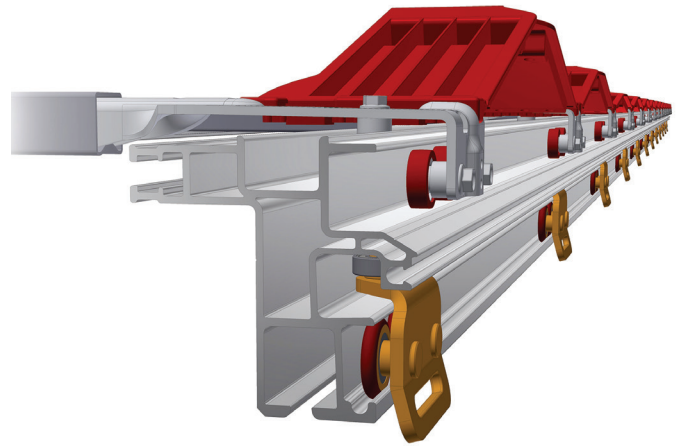
TT-number	Name	Drawing
<p>0538007.073</p> <p>0538007.079</p> <p>0538007.086</p> <p>0538007.098</p> <p>0538007.102</p>	<p>Guide profile Alto 150 VS2</p> <p>L = 7.3 m</p> <p>L = 7.9 m</p> <p>L = 8.6 m</p> <p>L = 9.8 m</p> <p>L = 10.2 m</p>	
<p>0521231.004</p> <p>0521231.007</p> <p>0521231.009</p> <p>0521231.014</p>	<p>Side tarpaulin seal</p> <p>L = 4.5 m</p> <p>L = 7.0 m</p> <p>L = 9.0 m</p> <p>L = 14.0 m</p>	
<p>0522042.000</p>	<p>Tarpaulin roller</p>	



# FOLDING TARPAULIN CONSTRUCTION - MYCRO TRIKE GUIDE PROFILE

## Product description

- Flatbed superstructure with roof stacking and side stacking
- Recommended dimensions, length max. 8600 mm, width 2550 mm, height 3000 mm
- Aluminium or steel frame
- Uses the Trike roller to move the tarpaulin, which ensures smooth folding of the tarpaulin
- Possibility of lifting the roof structure
- Variants of foldable, fixed roof, sliding roof and full folding (all at once)
- Can be used with Al rear face, Al door and departure flap for hydraulic face
- Combination of left and right folding side is possible
- Different variants of aluminium pillars



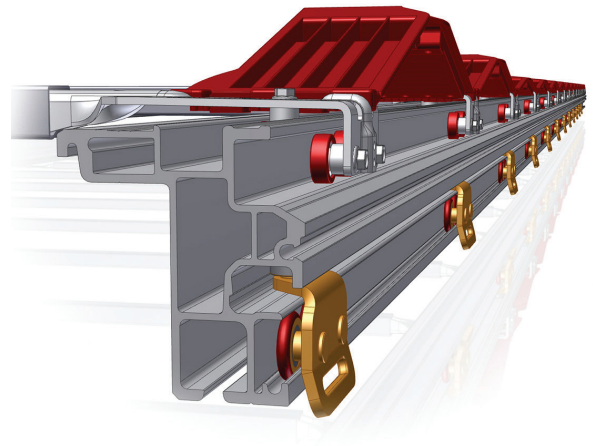
TT-number	Name	Drawing
<p>0538011.045 0538011.053 0538011.060 0538011.066 0538011.073 0538011.079 0538011.086</p>	<p>Mycro Trike Guide Profile L = 4.5 m L = 5.3 m L = 6.0 m L = 6.6 m L = 7.3 m L = 7.9 m L = 8.6 m</p>	
<p>0521252.004 0521252.007 0521252.009 0521252.014</p>	<p>Side tarpaulin seal L = 4.5 m L = 7.0 m L = 9.0 m L = 14.0 m</p>	
<p>0522048.000</p>	<p>Tarpaulin roller</p>	



# FOLDING TARPULIN CONSTRUCTION - DUO 120 TRIKE GUIDE PROFILE

## Product description

- Flatbed superstructure with roof stacking and side stacking
- Recommended dimensions, length max. 9800 mm, width 2550 mm, height 3000 mm
- Steel frame
- Suitable for high volume superstructures with through trailer
- It uses the Trike roller to move the tarpaulin, which ensures easy and smooth folding of the tarpaulin
- Variants of foldable, fixed roof, sliding roof and full folding (all at once)
- Roof structure can be lifted to maximise load height
- Can be used with Al rear face, Al door, through bridge and departure flap for hydraulic face
- Combination of left and right folding side is possible
- Different variants of aluminium pillars
- Can be supplied with CODE XL 12642 certification

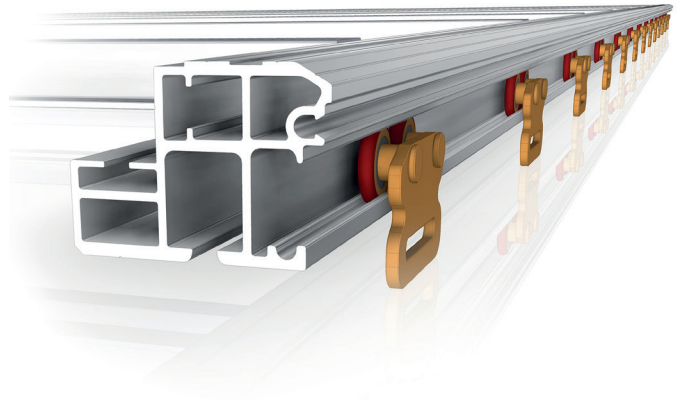


TT-number	Name	Drawing
<b>0538014.073</b> <b>0538014.079</b> <b>0538014.086</b> <b>0538014.098</b>	Guide profile DUO 120 TRIKE L = 7.3 m L = 7.9 m L = 8.6 m L = 9.8 m	
<b>0521251.009</b> <b>0521251.014</b>	Side tarpaulin seal L = 9.0 m L = 14.0 m	
<b>0522048.000</b>	Tarpaulin roller	



## Product description

- Flatbed superstructure with side folding option, designed for larger structures
- Recommended dimensions, length max. 7300 mm, width 2550 mm, height 2600 mm
- Aluminium subframe, frame height 70, 90 mm for plywood 15 or 18 mm
- Two variants of roof construction, tubular roof, composed of omega profiles
- Can be used with Al rear face, Al door and hydraulic face flap
- Combination of left and right folding side is possible



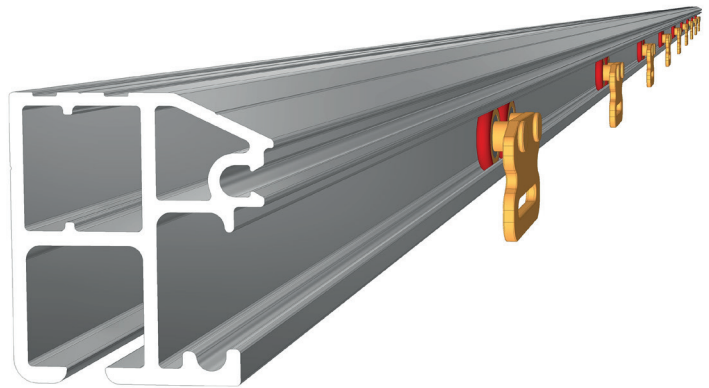
TT-number	Name	Drawing
0537020.050 0537020.060 0537020.066 0537020.073	Guide profile FIXO L = 5.0 m L = 6.0 m L = 6.6 m L = 7.3 m	
0521252.004 0521252.007 0521252.009 0521252.014	Side tarpaulin seal L = 4.5 m L = 7.0 m L = 9.0 m L = 14.0 m	
0522047.000	Tarpaulin roller	

5. page 28

# FIXED ROOF - FIXO-S GUIDE PROFILE

## Product description

- Flatbed superstructure up to 5t total weight with side folding capability
- Recommended dimensions, length max. 5000 mm, width 2550 mm, height 2400 mm
- Aluminium subframe, frame height 70, 90 mm for plywood 15 or 18 mm
- Two variants of roof construction, tubular roof across and lengthwise
- Can be used with Al rear face, Al door and hydraulic face flap
- Combination of left and right folding side is possible

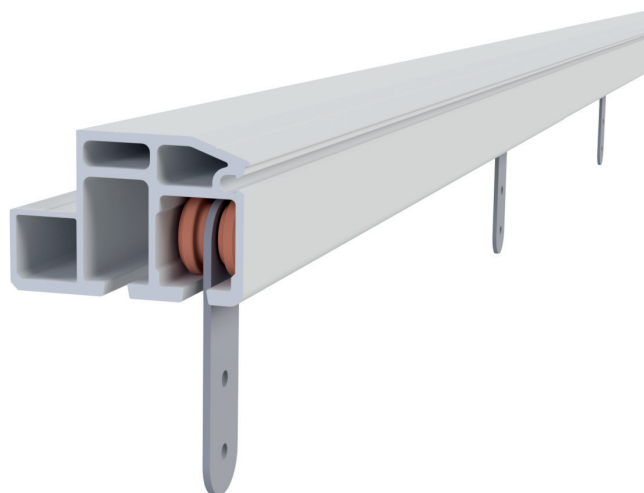


TT-number	Name	Drawing
0537021.050	Guide profile FIXO L = 5.0 m	
0521252.004 0521252.007 0521252.009	Side tarpaulin seal L = 4.5 m L = 7.0 m L = 9.0 m	
0522047.000	Tarpaulin roller	



## Product description

- Recommended dimensions - length 8500 mm, width 2550 mm, height 3000 mm
- Aluminium subframe, frame height 70, 90, 108 mm for 15, 18 or 21 mm plywood
- Fixed roof with omega crosspieces
- Can be used in combination with a rear face, Al door or hydraulic face flap
- Possibility of combination of left and right folding side

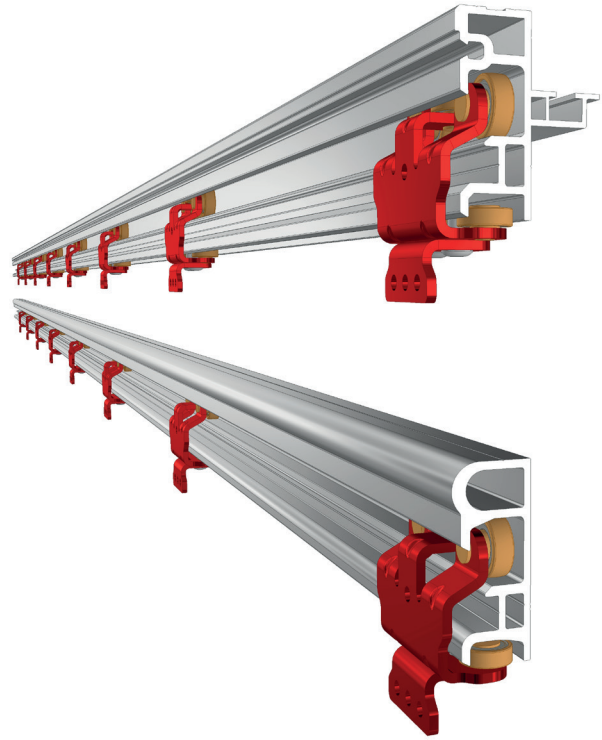


TT-number	Name	Drawing
0537022.079 0537022.085	Guide profile FIXO-L L = 7.9 m L = 8.5 m	
0521252.004 0521252.007 0521252.009	Side tarpaulin seal L = 4.5 m L = 7.0 m L = 9.0 m	
0522043.000	Tarpaulin roller	



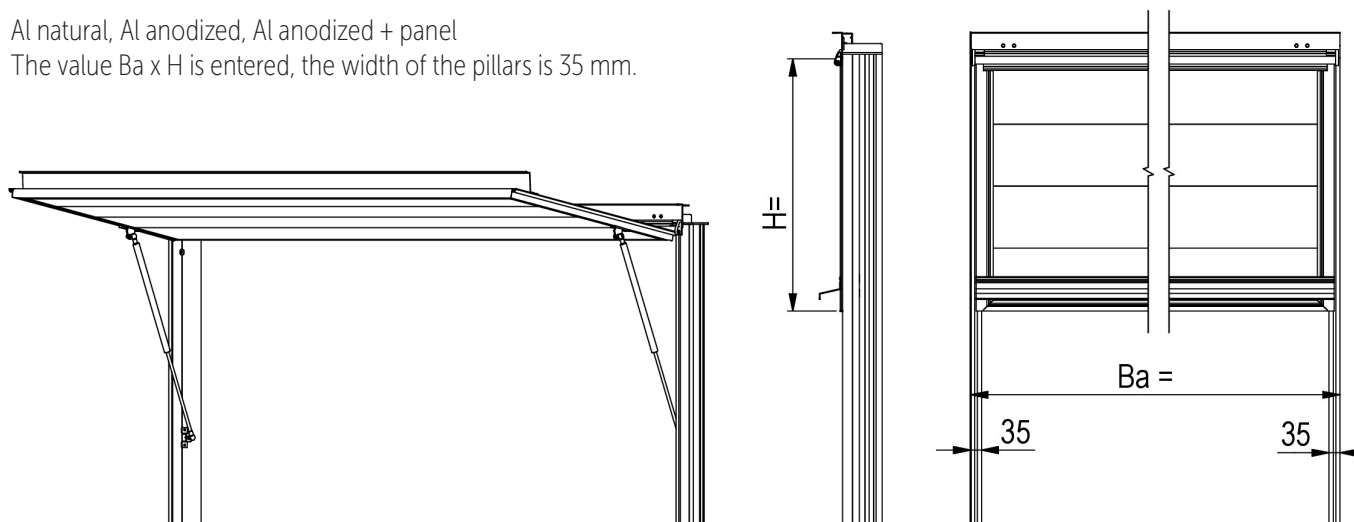
### Product description

- New on the market, a lightweight aluminium superstructure designed for fast loading and unloading
- Recommended dimensions, length max. 5000 mm, width 2550 mm, height 2400 mm
- Aluminium subframe, frame height 70, 90 mm for plywood 15 or 18 mm
- Can be combined with side folding and tension bar
- Can be used with Al rear face, Al door and hydraulic face flap



## REAR FLAP FIXED

Al natural, Al anodized, Al anodized + panel  
The value Ba x H is entered, the width of the pillars is 35 mm.



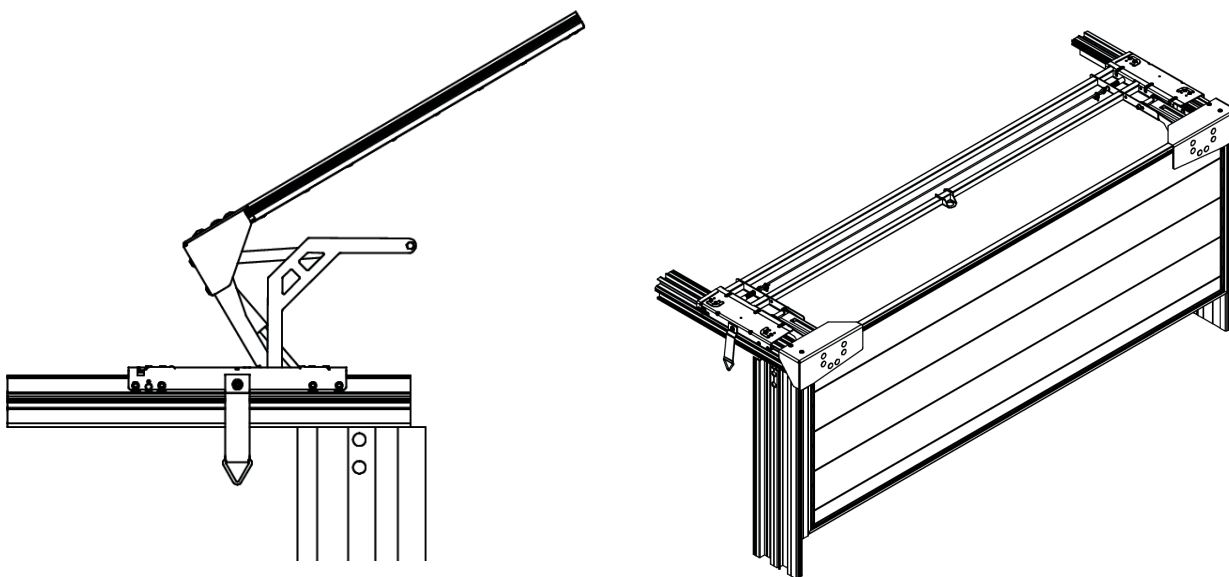
Height of the flap	Outer width of the superstructure	Flap width (max. width)	TT-number / flap material			Spring strength F
H mm	Ba max mm	Bkl max mm	TT-number natural	TT-number anodized	TT-number frame anodized panel filling	mm/N
400	2200	2110	0561040.022	0561040.122	0561040.222	150/250
	2300	2224	0561040.023	0561040.123	0561040.223	
	2400	2324	0561040.024	0561040.124	0561040.224	
	2500	2424	0561040.025	0561040.125	0561040.225	
	2550	2474	0561040.026	0561040.126	0561040.226	
500	2100	2010	0561050.021	0561050.121	0561050.221	200 / 350
	2200	2110	0561050.022	0561050.122	0561050.222	
	2300	2210	0561050.023	0561050.123	0561050.223	
	2400	2310	0561050.024	0561050.124	0561050.224	
	2550	2460	0561050.025	0561050.125	0561050.225	
600	2100	2010	0561060.021	0561060.121	0561060.221	200 / 450
	2200	2110	0561060.022	0561060.122	0561060.222	
	2300	2210	0561060.023	0561060.123	0561060.223	
	2400	2310	0561060.024	0561060.124	0561060.224	
	2550	2460	0561060.025	0561060.125	0561060.225	
700	2200	2124	0561070.022	0561070.122	0561070.222	200 / 500
	2300	2224	0561070.023	0561070.123	0561070.223	
	2400	2324	0561070.024	0561070.124	0561070.224	
	2550	2474	0561070.026	0561070.126	0561070.226	
800	2200	2124	0561080.022	0561080.122	0561080.222	300 / 500
	2300	2224	0561080.023	0561080.123	0561080.223	
	2400	2324	0561080.024	0561080.124	0561080.224	
	2550	2474	0561080.026	0561080.126	0561080.226	
900	2200	2124	0561090.022	0561090.122	0561090.222	300 / 650
	2300	2224	0561090.023	0561090.123	0561090.223	
	2400	2324	0561090.024	0561090.124	0561090.224	
	2550	2474	0561090.026	0561090.126	0561090.226	
1000	2200	2124	0561100.022	0561100.122	0561100.222	300 / 650
	2300	2224	0561100.023	0561100.123	0561100.223	
	2400	2324	0561100.024	0561100.124	0561100.224	
	2550	2474	0561100.026	0561100.126	0561100.226	





## REAR FLAP MOBILE

The rear flap is used on VERSUS foldable roofs where a hydraulic rear face is used on the superstructure and the rear loading area including the roof and flap must be released for rear loading.



Height of the flap H mm	Outer width of the superstructure Ba max mm	Flap width (max. width) Bkl max mm	TT-number / flap material			Weight kg/pc
			TT-number natural	TT-number anodized	TT-number anodized frame panel filling	
500	2550	2460	0562050.025	0562050.125	0562050.225	33
600	2550	2460	0562060.025	0562060.125	0562060.225	37
700	2550	2460	0562070.025	0562070.125	0562070.225	41
800	2550	2460	0562080.025	0562080.125	0562080.225	45
900	2550	2460	0562090.025	0562090.125	0562090.225	49
1000	2550	2460	0562100.025	0562100.125	0562100.225	53
1100	2550	2460	0562110.025	0562110.125	0562110.225	57
1200	2550	2460	0562120.025	0562120.125	0562120.225	61

